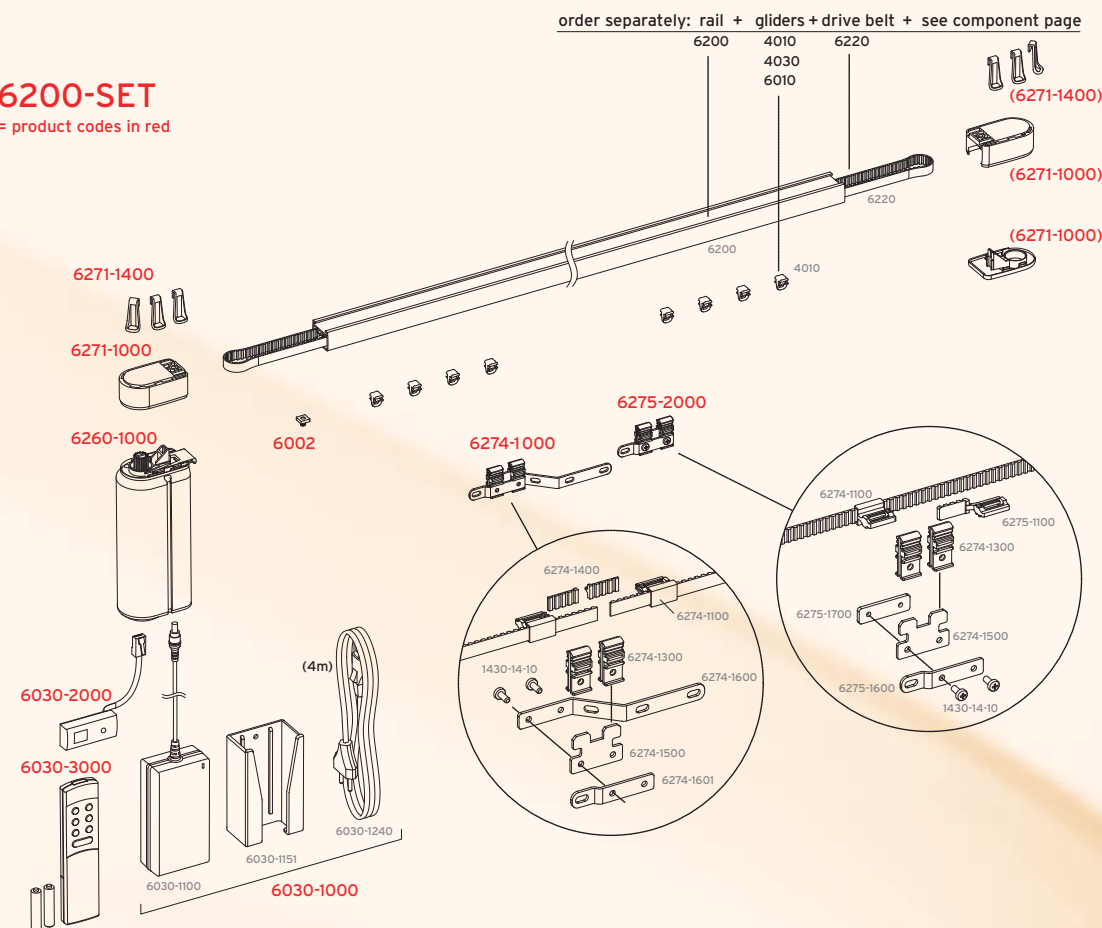
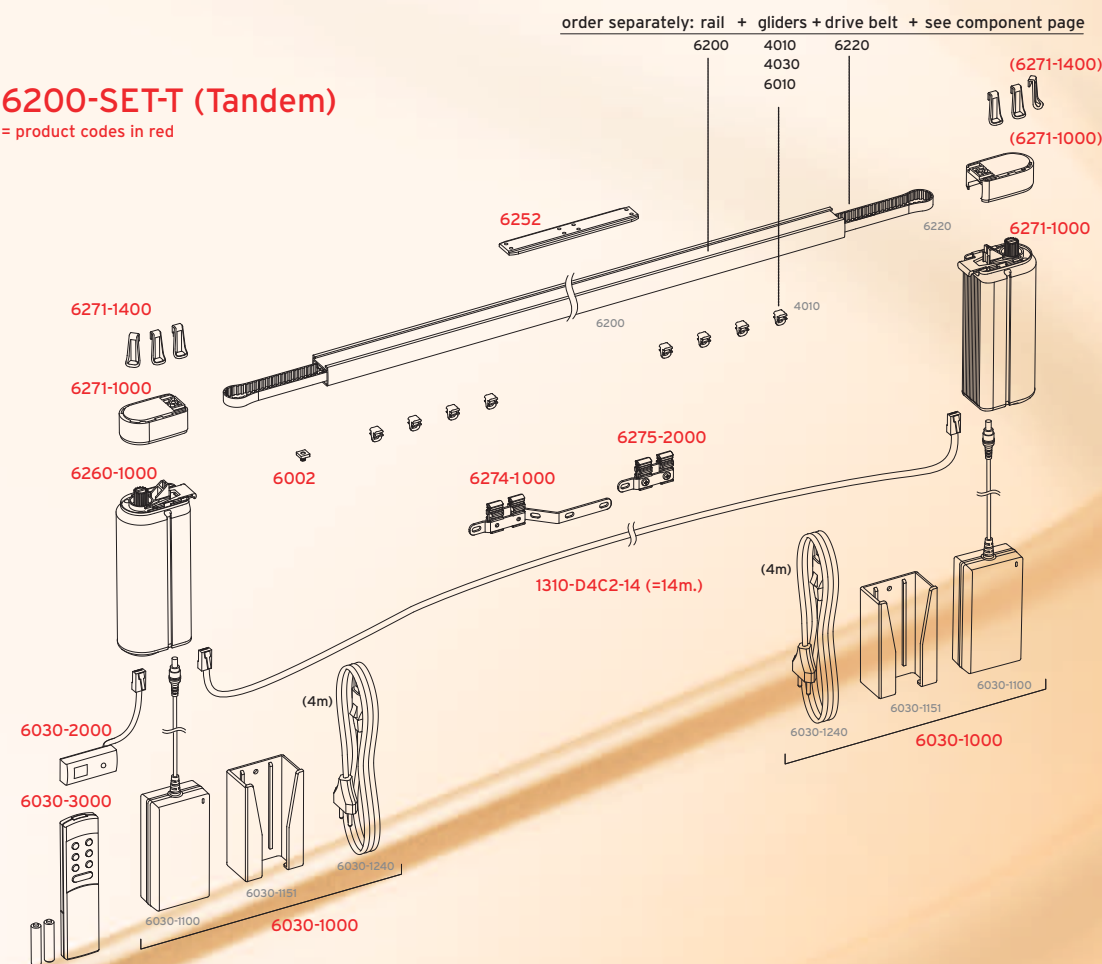


Exploded View

6200-SET
= product codes in red



6200-SET-T (Tandem)
= product codes in red



6200

ELECTRIC CURTAIN RAIL
6200



G-RAIL®
ALUMINIUM RAIL

> by Goelst

Components

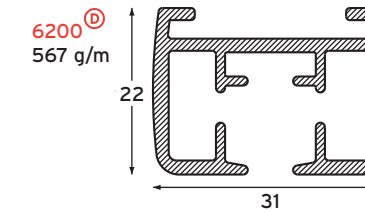
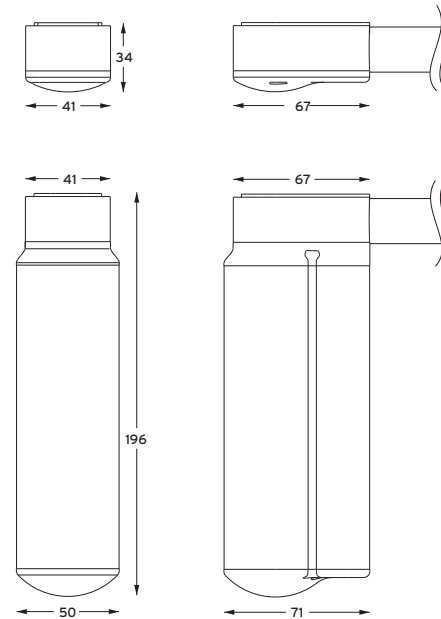
Product design and specification changes reserved

<p>When ordering components for self assembly: - 6200-SET or tandem 6200-SET-T - Profile 6200 - Drive belt 6220 - Component parts : See Curtain transport, Fixing and Accessories sections below.</p> <p>6200-SET Standard basic set for systems with single motor, see exploded view</p> <p>6200-SET-T Standard basic set for systems with 2 motors (tandem), see exploded view</p>		<p>WALL FIXING</p> <p>6017 [®] adaptable wall bracket 7 cm - 15 cm colours: W</p> <p>6251 [®] wall support, 4 cm projection colours: W</p>	
<p>6200 aluminium profile colours: W</p> <p>6220 drive belt (10 mm)</p>		<p>ACCESSORIES</p> <p>2024-55 sew in hook 55 mm</p> <p>2024-100 sew in hook 100 mm</p> <p>Components for single track with more than one set of curtains 6274-2000 6275-2000 additional pair of curtain</p> <p>6274-2000 overlap carrier for additional pairs of curtains on single track</p> <p>6275-2000 overlap carrier in combination with 6275-2000 - for additional pairs of curtains on single track</p> <p>6200-RSW-150 wall return set (L&R) 15 cm, for wall and ceiling mounting - can be trimmed (minimum 9 cm). colours: W</p> <p>6252 internal connecting bridge - standard with tandem systems</p> <p>6030-3151 wall holder for infrared transmitter 6030-3000 incl. fixing components</p> <p>6030-2040 IR receiver with extended eye (40 cm) allows concealed fixing of IR receiver</p>	
<p>CURTAIN TRANSPORT</p> <p>4010 [®] glider (on strip) colours: B - G - W - ZW</p> <p>4030 roller colours: B - G - W - ZW</p> <p>6010 [®] projection glider - total curtain weight < 8 kg ; straight profile only < 6 mtr</p>			
<p>CEILING FIXING</p> <p>6250 ceiling fixing clamp total curtain weight < 25 kg</p> <p>6235-20 ceiling fixing plate total curtain weight < 100 kg colours: N - W</p> <p>6235-80-35 6235-80-45 profile insert for recessed fixing, incl. special screw - pre drilling 6200 profile by Goelst.</p> <p>6255 susp. hanger for 6200 incl. rail adaptor 6259-10 colours: B - G - N - W</p> <p>6264 strut hanger for 6200 incl. rail adaptor 6259-20 colours: GR - W</p>			
<p>ELECTRIC CURTAIN RAIL # 6200</p>		<p>6200 [®]</p> <p>B = Brown G = Gold GR = Grey N = Natural W = White ZW = Black</p> <p>▣ = standard item ® = registered trademark Ⓜ = patented product</p>	



6200 is a low voltage (24 V) electrically operated curtain track that is delivered complete ready assembled with infrared remote control as standard. Suitable for both 110 and 240 Volt supply the system can be installed without the need of an electrician. Setting the end of travel positions is easily carried out using the infrared transmitter supplied. Elegant in design, a powerful 24 Volt motor and simplicity to combine several systems make 6200 suitable for the most demanding interior applications.

Standard colour: White RAL 9010. Special colours on request.



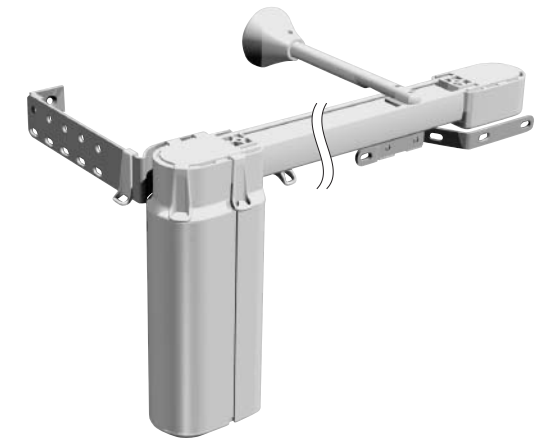
Specification Guide

Special properties:

- > Silent operation.
- > System suitable for all curtain weights and applications.
- > Delivered pre-wired for simple 24 volt installation.
- > Supplied with infrared remote control as standard, radio control (RF) also possible.
- > Easy control and setting of the system using infrared remote control.
- > Variable speed motor facility, launching/docking speeds and distances pre-programmed by Goelst or approved distributor.
- > Standard travel speed set a 15 cm / second.
- > Colour co-ordinated components.
- > Broad program of control options, compatible with HOME AUTOMATION systems.

Material:

Aluminium 606035-T6-F22 (higher specification than DIN 1725). Shape and size tolerances are in accordance with DIN 17615. Anodised or powder coated in accordance with the Qualicoat standard. Powder coat white RAL 9010. Profile weight: 567 g per linear metre.



Load table 6200 with glider 4010

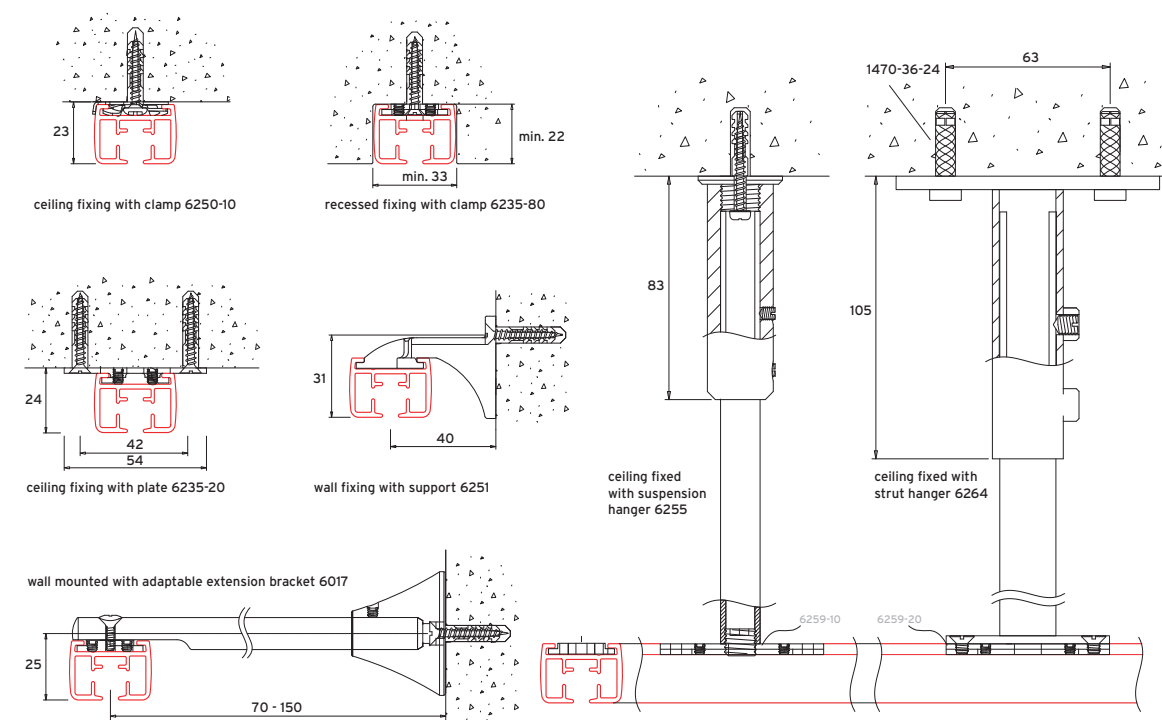
	1m	2m	3m	4m	5m	6m	7m	8m	9m	10m	11m	12m	13m	14m	15m	16m	17m	18m	
Straight	kg	10	20	30	40	50	60	60	60	60	60	60	60	60	60	60	60	60	60
Straight(Tandem)	kg						70	80	90	100	100	100	80	80	80	80	80	80	80
1 curve	kg	10	20	30	40	50	50	50	50	50	50	50	50	50	50	50	50	50	50
1 curve (Tandem)	kg						60	70	80	90	90	90	90	70	70	70	70	70	70
2 curves	kg	10	20	30	40	45	45	45	45	45	45	45	45	45	45	45	45	45	45
2 curves (Tandem)	kg						50	60	70	80	80	80	80	60	60	60	60	60	60
1 large curve	kg	10	20	30	40	45	45	45	45	45	45	45	45	45	45	45	45	45	45
1 large curve (Tandem)	kg						50	60	70	80	80	80	80	60	60	60	60	60	60

This table indicates the maximum total curtain weight. Above 25 kg. curtain weight, use ceiling fixing bracket 6235. Maximum weight per glider 4010: 1 kg. Tandem = dual motor unit. Large curve = gradual curve with large radius.

ELECTRIC CURTAIN RAIL
6200

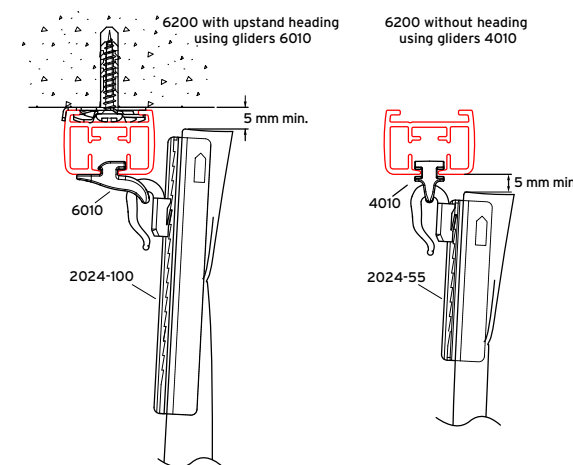
6200[®] > A breakthrough in technical engineering and design.

Installation



Curtain hanging examples

Maintain operating clearance between curtain and ceiling or between curtain and profile.



Accessories:

Assembled with 10 to 16 gliders per metre, using standard glider 4010 up to a maximum curtain weight of 100 kg. Maximum weight per glider 4010: 1 kg. Upstand headings can be achieved using projection glider 6010. This option has a maximum curtain weight of 8 kg.

Bending:

Minimum radius: 20 cm. Bending machine 1015.

Installation:

Bracket	max. curtain weight	fixing centres
6250	25 kg	30 - 50 cm
6235	100 kg	50 - 90 cm
2015 + 6250	25 kg	30 - 50 cm
6017	10 kg per bracket	to suit curtain weight (up to 100 kg).

When using bracket 6235 an extra bracket is required for each curtain stacking position. When using fixing bracket 6017 determine number of brackets on first metre of rail using the following formula:
Curtain weight = number of brackets on first metre.
10 kg

